

Compare manual staple guns



File Name: Compare manual staple guns.pdf

Size: 3582 KB

Type: PDF, ePub, eBook

Category: Book

Uploaded: 30 May 2019, 19:27 PM

Rating: 4.6/5 from 638 votes.

Download Now!

Please check the box below to proceed.



I'm not a robot



reCAPTCHA
Privacy - Terms

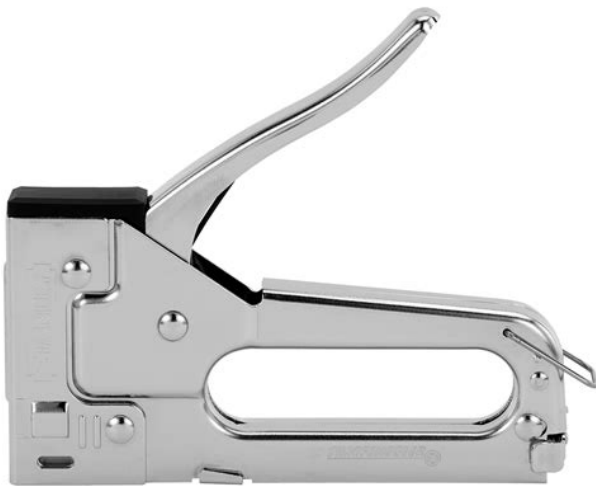
Book Descriptions:

Compare manual staple guns



Staple guns are used for a wide range of projects and to attach an assortment of materials, including protection, house wrap, material, wiring, flooring, upholstery, and diversion, and specialty materials. If you are doing anything DIY or home repair related, a staple gun is one of the most widely recognized tools you will be using. Individuals who like to do things themselves ought to have themselves a decent quality staple gun. Staple guns are incredible unlike normal office staplers; staple guns don't restrict you to simply having the capacity to staple paper. Staples from a staple gun can be shot into many surfaces, depending upon the power source and strength. Staple guns come in all shapes and sizes, however, one of the easiest to use, most maneuverable, and least expensive to purchase is a manual hand staple gun. Post Contents Manual Staple Guns Working Mechanism of Staple Gun Best Manual Staple Guns Best Manual Staple Guns Reviews Stanley TR110 Heavy Duty Steel Stapler Bostitch T68 Heavy Duty Powercrown Tacker Stanley TR45K Light Duty Staple Gun Stanley TR150HL SharpShooter Heavy Duty Staple Gun Arrow Fastener T50 Heavy Duty Staple Gun Dewalt DWHTTR350 Heavy Duty Aluminum Stapler Stanley TR250 SharpShooter Plus Heavy Duty Staple Gun Arrow Fastener P22 Heavy Duty Plier Stapler Arrow Fastener T2025 Dual Purpose Staple Gun Arrow Fastener 8000K Powershot Pro Staple Gun Buyer's Guide to Manual Staple Guns Advantages of Manual Staple Guns Jobs of Manual Staple Gun Conclusion Manual Staple Guns While there are many various types of staple guns, they are for the most part partitioned into three distinct classifications by a power source. These three power sources are manual, electric Battery or Cord and pneumatic Compressed Air. These distinctive guns differ in power source, yet they additionally fluctuate in usability, the power conveyed, the length and quality of the staples used, and more. Manual staple guns are obviously, manual.<http://gites-belluire.com/UserFiles/experiments-manual-to-accompany-digital-electronics-principles-and-applications.xml>

- **compare manual staple guns, compare manual staple guns for sale, compare manual staple guns gun, compare manual staple guns parts, compare manual staple guns review.**



This implies they require arm muscle strength. Now and again this is something worth being thankful for, on the grounds that it implies you can take them anyplace without a power cord attached. Be that as it may, some of the time it is an awful thing since it requires more power to shoot each nail, and this gets tiring for your hands after some time. Manual staple guns can be used for a ton of purposes, yet are usually used for lighter, less stern uses. The manual staple guns are useful for simple assignments around the house. Manual staple guns are the cheapest to buy as compared to electric and pneumatic staple guns. These staple guns are awesome little tools to have around the house for little undertakings and repairs, however, don't hope to use one for a whole home redesign. They are awesome on the grounds that they are compact and light, yet your hand will sting in the wake of utilizing one for a spell. Working Mechanism of Staple Gun A staple gun has a springloaded mechanism that squeezes the lever from below, the head compresses a spring that recoils quickly releasing tension bars that drive the staples into maximum materials. This design enhances the capability of the staple gun to insert staples into rigid surfaces in a single push. Manual staple guns incorporate allpurpose carton staplers, hammer tackers, longnosed staple guns for reaching tight spaces, staple guns for installing cable and wire, and plierstyle models. Before getting one, test it out to ensure it is anything but difficult to work with one hand. When shopping online, read the seller's description to locate a simpleto use model. Best Manual Staple Guns There are various companies manufacturing staple guns and they are almost the same with the same mechanism. Though they differ in capacity and comfort level. We have prepared a list of best manual staple guns available in the market today, followed by the reviews. <http://bentleyplemtech.ru/userfiles/experiments-in-plant-physiology-a-laboratory-manual.xml>



The best manual staple gun reviews will help you find the right one that can meet your needs. The listed staple guns are the top rated and recommended by the users. You can use the information to compare and contrast the different models and get the best one for your money.

Product Name	Capacity	Ratings	Price
Stanley TR110 Heavy Duty Steel Stapler	2 pounds	4.3	Check Price
Bostitch T68 Heavy Duty Powercrown Tacker	1 pound	4.4	Check Price
Stanley TR45K Light Duty Staple Gun	1 pound	4.6	Check Price
Stanley TR150HL SharpShooter Heavy Duty Staple Gun	1.5 pounds	4.5	Check Price
Arrow Fastener T50 Heavy Duty Staple Gun	1.4 pounds	4.4	Check Price
Dewalt DWHTTR350 Heavy Duty Aluminum Stapler	1.9 pounds	4.2	Check Price
Stanley TR250 SharpShooter Plus Heavy Duty Staple Gun	1.6 pounds	4.1	Check Price
Arrow Fastener P22 Heavy Duty Plier Stapler	1.1 pounds	3.8	Check Price
Arrow Fastener T2025 Dual Purpose Staple Gun	1.7 pounds	3.8	Check Price
Arrow Fastener 8000K Powershot Pro Staple Gun	2 pounds	3.6	Check Price

Best Manual Staple Guns Reviews

Stanley TR110 Heavy Duty Steel Stapler This staple gun from one of the business' top brand Stanley is the ideal manual staple gun for light duty work around the house. It's a lightweight staple gun that will give you a chance to get into tight places easily while dealing with your interests in the meantime. The hand secures with a hinge on the back of the unit. You can likewise utilize it tack up some chicken wire or other light outdoor errands. It won't function admirably for siding, roofing, or other fencing tasks, however, it deals with all the rest effortlessly. This chrome plated steel construction of the staple gun ensures its durability. It features the JamClear mechanism, which is very essential, as it will save your time and prevents the hassle of staple jams. It can be used for upholstery on chair, fabrics and light wood project if correct staples are used.

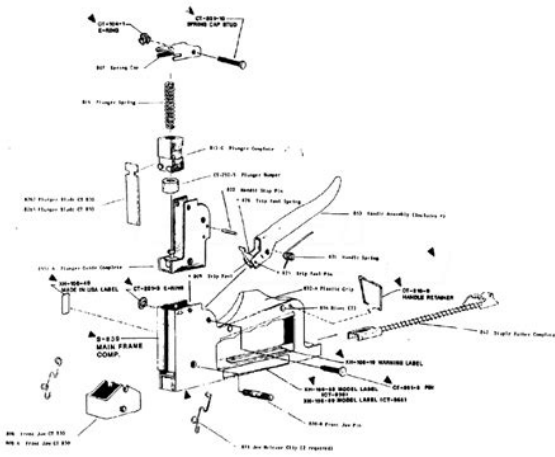
Pros Jam clear mechanism Sturdy and durable Cheap Fantastic performance with rare misfiring
Cons Handle is pretty away from the body, need big hands and strength Check the latest price on Amazon Also read our guide to the best electric staple gun.

Bostitch T68 Heavy Duty Powercrown Tacker The BOSTITCH T68 Heavy Duty Powercrown Tacker is a staple gun, which can work in a wide range of situations without fizzling. The BOSTITCH T68 Heavy Duty Powercrown Tacker satisfies its "Heavy Duty" name and you can see with your own eyes. There's a considerable measure of circumstances in which other staplers may have a few issues, however, this one will do extraordinary for what it is intended to do. The design is the classic yellow Bostitch color that you see around each hardware store and it's easily detectable. The design of this gun is exceedingly functional, particularly with regard to the handle. The handle is made out of steel on the inside so you don't have to stress over breaking it with prolonged use. It has a nice hand grip, which is covered in rubber offering maximum efficiency. This Bostitch Staple gun is light compared to other heavy duty staple guns and has one of the easiest loading mechanism. It takes Bostitch heavy duty PowerCrown Staples and has AntiJam magazine. This is great staple gun that will go easy on your hands and gives great performance that comes with 7 years limited warranty.

Pros Comfortable handgrip Easy bottom loading Light aluminum design Easy squeeze mechanism
Cons PaperCrown staples can be hard to find Check the latest price on Amazon Read Review

Best Pneumatic Staple Gun

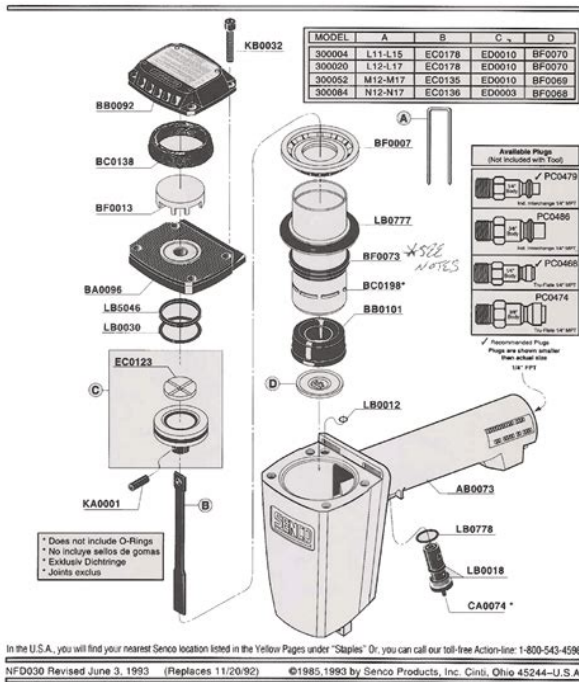
Stanley TR45K Light Duty Staple Gun This Stanley Staple Gun is the standard staple gun that doesn't offer anything extravagant in the method for features or such. All things considered, it's a strong machine that has a handle you can lock so you can store it in a drawer pretty safely.



<https://ayurvedia.ch/boss-be-5m-service-manual>

It doesn't jam frequently, however when it does simply use the quick clear mechanism and you'll have the capacity to return to work immediately. It's brand specific for the staples you have to use, so remember that. A limited lifetime guarantee backs your buy. The chromeplated steel gives you durability. You can't beat the cost either. This Stanley staple gun is ideal for home and office for the stapling jobs on a daily basis. The kit includes a staple gun, 1,000 staples, and a handy storage case. The staple gun is perfect for light upholstery, tacking wires, hanging posters, softwood projects, and more. It is lightweight and small enough to perfectly fit into any hand. Pros Durable Handle lock for safety Lightweight Easy to squeeze the handle Cons Requires strong grip and strength Check the latest price on Amazon Stanley TR150HL SharpShooter Heavy Duty Staple Gun The Stanley TR150HL SharpShooter Heavy Duty Staple Gun is an extraordinary staple gun that can be a pleasant upgrade if you used older models, yet it can be an awesome buy if it is the first occasion when you are working with a staple gun. This model is undiscovered greatness right under your nose and is bound for heavyduty manual stapling, henceforth the name. Commonly, if you are working with a staple gun for a longer timeframe, your hand may go numb from all the applied pressure, however with this gun, that won't be the situation. With the Stanley SharpShooter, you can switch between two high and low pressure when you work, so you don't need to work too hard in the event that you would prefer not to. One thing that is decent about the diverse pressure levels is that based on the level you set it at, you can staple into either soft or hard materials. This is the thing that makes this staple gun extraordinary for stapling wood. In case you're tired of having a manual staple gun that is difficult to use, then this is the tool you'll need to take a look at today.

<http://internetdeputy.com/images/carrier-58sx080-bc-1-manual.pdf>



You won't need to risk pulling a muscle when you press the lever on this stapler. As a manual stapler, this is the great quality model at a low price point. Staple guns are regularly used as a part of a wide range of environments and just a modest bunch of them are really deserving of a topquality status like this one. The T50 Staple Gun is notable among experts and its appraisals are better than expected, which makes it a decent gun for workers who need a shabby manual gun. It gives you a satisfactory fastener within difficultto reach places where other sorts of staple guns can't fit. This is the place where the Arrow T50 is a basic device in your toolbox. Simply ensure you have the correct staple that is T50 staples in this staple gun. In the event that you don't use the correct staples, the patented antijamming mechanism inside the staple gun will come up short. The chrome finish and allmetal construction makes it durable and features visual refill window that allows you to see when to reload the staples. Pros Sturdy and durable AntiJam mechanism Visual refill window Hardened steel working parts Cons Requires great strength Check the latest price on Amazon Read Review Best Upholstery Staple Gun Dewalt DWHTTR350 Heavy Duty Aluminum Stapler The DeWalt DWHTTR350 HeavyDuty Aluminum Stapler, similar to the Bostitch is really a heavy duty tool, which is extraordinary much of the time. The decent and strong design, consolidated with a decent quality firing mechanism is the way to the achievement of the DWHTTR350 model. The handle itself is tough and it can keep going for quite a long time without breaking. An additional advantage is that your hands wouldn't suffer, on account of the rubber grip, which is very easy on the hand. This is an awesome staple gun for upholstery and many individuals have said that it is superior to anything the other manual staple guns for this reason.

<http://asyasunger.com/images/carrier-58sx100-cc-1-manual.pdf>



This gun is extraordinary for some reasons and it comes at a modest value, which is an additional advantage. Pros Solid built Durable Affordable Great for upholstery Cons Need to fully release the handle between tacking another staple Check the latest price on Amazon Stanley TR250 SharpShooter Plus Heavy Duty Staple Gun In case you're worn out on having a manual staple gun that is difficult to use, then this is the device you'll need to check. You won't need to risk pulling a muscle when you crush the lever on this staple gun. It fires staples and brad nails effortlessly, giving you a chance to take your work overtime if need be on account of your hands and arms encounter less lethargy. You can even alter the weight for hard or delicate materials for an additional level of adaptability. The heavyduty aluminum housing ensures longlasting durability and allmetal drive channel gives better penetration. The longnosed design lets you reach the tight spot that needs stapling. It features quickview window and easyslide loading mechanism. This staple gun is one of the fine staple guns that require less strength and driving power that comes in an affordable price. Pros Solid and durable Handle lock for safe storage Easyslide loading Smooth performance Cons Staples may fall out on their own Check the latest price on Amazon Arrow Fastener P22 Heavy Duty Plier Stapler Arrow Fastener P22 is small and compact that anybody can use it for all intents and purposes, yet it is assembled like a tank in all the ways that matter. You can rapidly assemble cardboard boxes; staple together printed material at your remote employment site, or label things at your laundry business easily. Quit using tapes, sticks, or even clips since that can bring about your things to get lost. This is a plier type stapler constructed of solid steel with a durable chrome finish for years of office, school or home use. It features a handguard loop and camactuated double leverage.

The jamproof mechanism is easily accessible, making reloading of staples easy. This is perfect for sculpting with paper and cardboard. The design allows for joining materials easily and without a lot of force. This is the good value at the price you will pay for it and will last long. Pros Sturdy and durable Tireless camleverage action Visual refill window Hand guard loop Cons Staples may stuck when used constantly Check the latest price on Amazon Arrow Fastener T2025 Dual Purpose Staple Gun If you require a manual staple gun that can fire the flat crown and round crown staples, then this is the device for you. The easy squeeze handle works entirely well in spite of the absence of padding or ergonomics and the jamproof mechanism make a quite decent job of giving you a chance to continue working. The chrome finish is truly strong and the handle secures for safer storage. Apply pressure to the site you wish to put a staple and you'll have a decent ordeal. Without enough pressure, you may discover your staples going spots you never envisioned. This dualpurpose staple gun features a builtin adjustable staple guide that lets you change the depth of the staples being

driven. This powerful staple gun can perform well for tacking wire, cable, upholstery, etc. It works well with 6 sizes of T25 and T20 staples. Pros Durable chrome finish Handle lock for safer storage Flat crown and round crown staples Adjustable staple guide Cons May jam occasionally Check the latest price on Amazon Arrow Fastener 8000K Powershot Pro Staple Gun With so many staple guns available these days, it is great to have a name you can recognize. The Arrow Fastener 8000 PowerShot Pro ForwardAction Staple Gun is certainly that and will be an excellent acquisition. This is an ideal choice for any home project that you might have. The feature that makes this staple gun unique from others is the forward action design that avoids stapler kickback giving you smooth stapling performance.

<https://lakecountyoralsurgery.com/wp-content/plugins/formcraft/file-upload/server/content/files/162840e821807e---Buffalo-linkstation-pro-duo-user-manual.pdf>

It offers easy onehand operation with an antislip comfort grip and is capable of rapidfire. This staple gun is designed for long term use with a durable steel body and comfort handle. The forward action of the staple gun is very helpful as it allows users to use bodyweight to assist the stapling process. It is easy to use and doesn't jam regularly. Arrow Fastener 8000 PowerShot Pro ForwardAction Staple Gun is widely recommended and is always a regular choice with most people. Arrow Fastener has added some great features and this results in great value for money. Pros Forward action design prevents kickback Rapid fire Durable Antislip comfort grip Cons Loading staples can be tiresome Check the latest price on Amazon Read Review Best Carpet and Flooring Staple Gun Buyer's Guide to Manual Staple Guns After going through the comparison chart and the reviews of the best products in the market today, you must have gotten some good idea about what you really need. Furthermore, here are few more considerations that you should make before deciding and making the purchase. There are several factors that should be considered while buying a staple gun. Durability Durability is essential because you don't want a piece of junk staple gun that will break the first time when you use it. The staple guns mentioned above are the firstclass staple guns for a reason. They are toughly assembled and can withstand manhandle over time. Staple guns can be built of various materials, and the contrast between plastic, metal, and steel is just truly obvious when it gets into all the more heavyduty stapling. In any case, notwithstanding for a manual gun, it should be sufficiently intense to last you for quite a long time to come. Staple Size Staple size is an imperative factor to consider when buying a new staple gun, yet it is not one that is important to consider when acquiring a manual staple gun.

www.daddyproofkidswear.com/files/carvin-pb-100-manual.pdf

This is because most of the manual staple guns shoot " staples, which is the standard for these sorts of staple guns. With regards to electric and pneumatic ones, you will start to see dials to have the capacity to adjust the size of the staples. These types of guns can shoot wide arrays of various sizes. Ergonomic Staple guns come in all shapes and sizes, as you may definitely know. However, not all shapes and sizes are made equivalent. The way the slot for your hand is formed has a considerable measure to do with how sore your hand will get over the time you utilize it. The bestappraised staple guns like the ones above most importantly have hand spaces that were intended to limit the torment your hands confront when you spend energy stapling. Another consideration with the handgrip is the material that it is made of. Some of the guns above have rubber grips on the inside to shield sweat from disturbing your "flow". At the end of the day, if your hand begins to get sweaty, and the grip has no rubber to keep the traction, your hand will begin to slip around and keep you from precisely shooting staples. Ease of usage This obliges the handgrip and more. The usability is essential since you will be using the staple gun for many tasks and much of the time. You require a gun that is light, and simple to move, and also easy on the arms and hands. For greatest ease of use, the staple gun should resemble an augmentation of your arm. Much of the time you will shoot more than only a couple staples at once, so usability is important. Other Considerations It is significant to search for a

manual staple gun, which is assembled like a tank to make sure that you gain the maximum advantages. Search for heavyduty, noncorrosive materials for the best user experience. This instrument ought to have the capacity to take a drop, yet still have the capacity to continue working toward the day's end.

Consequently, you'll have a versatile instrument that might have the capacity to utilize distinctive sizes of staples in light of your needs. Advantages of Manual Staple Guns Manual Staple Guns are handy in situations where you need to affix firm and thick materials. Advantages of Manual Staple Guns are You have the ability to complete office and house errands. The staple gun can be used to bind large documents and seal cardboard boxes. You can easily make light repairs around the house with the staple gun in your hand. It is safe and lightweight. When it comes to safety, the manual staple gun is like the office stapler. There is no trigger that can be accidentally pressed. Chances of hurting yourself or damaging something occur only when you mishandle it. Distinctive designs take into account extreme adaptability. Manual stapler guns have front and rear lever designs that allow virtually anyone to accomplish their stapling jobs without exhaustion, even using for a longer time. It is comparatively cheap. Manual staple guns come with a cost advantage. With the price of one average meal, you can get the best tool to help you finish your heavy stapling jobs. Everything has its plus points and minus points and manual staple gun is not spared. Though the manual staple gun has great advantages, it still has some drawbacks. Pros Various styles Easy to reload staples No additional power source required Cons Hurts your hands and arms after awhile Requires physical strength Staples may jam Jobs of Manual Staple Gun Manual Staple Guns are great to have around the house for light repairs and small projects. They are portable and light but your hand will obviously hurt after using one for a while, as it requires your arm strength.

Manual staple guns can swiftly perform the following tasks Light duty crafts Home decorations fabric tacking, drapery Light repair around the house Door and window screens Upholstery projects Insulation installation DIY projects Manual staple guns are ideal for the abovementioned small projects but when it comes to big construction projects like flooring, fencing, etc. Conclusion Despite everything you have to know how to purchase the correct staple gun for you, and this takes a considerable measure of knowledge and information. Pick a model that is reasonable, capable and ideal for the current task. Check Electric staple guns that can staple several staples in a minute, a lot simpler and faster than a manual one. Filed Under Staple Guns Comments I see ads for trackers that don't require squeezing handle. What are their pros and cons. STAPLERS Best Office Staplers Reviews Best Electric Staplers Reviews Best Heavyduty Staplers Reviews STAPLE GUNS Best Manual Staple Guns Reviews Best Electric Staple Guns Reviews Best Pneumatic Staple Guns Reviews Follow Us. Some people usually skip this type and buy electric or pneumatic ones thinking they are better by default. However, it couldn't be farther from the truth. It all comes down to the purpose of it. If you're not planning to tackle any major projects, there is no reason to spend money on other more expensive types. The main advantages of this type are the portability and light weight. There is no need to drag a cord or take special care about the level of air in a compressor; all you need is raw power. As we said, if you need a gun for small household repairs and simple DIY projects, consider getting a manual staple gun. Q Not Good for Even though this type is great for smaller projects, the bigger ones require a bit more. Therefore, if you're planning to remodel the whole house or tackle a huge DIY project, consider buying a more powerful unit. Whether you decide to invest in pneumatic or electric ones, it's up to you.

For example, many people invest a couple of dollars in a manual staple gun and expect to finish up remodeling a whole fence in one go. A vast majority of them fail pretty quickly or get tired of it because this type simply isn't recommended for largescale jobs. If you have any major home repairs in mind, it's best that you avoid using the manual type. Instead, aim for something that's capable of fulfilling your requirements on a large scale. It's true that you're going to invest a bit more money

than planned, but it's worth every penny. Top Rated Hand Staple Guns Stanley TR45K Light Duty Staple Gun Kit Our Rating 4.6 This particular unit is perfect for your everyday home and office tasks. It doesn't offer an impressive amount of features, but it's more than enough to fulfill some of your basic needs. It has a convenient handle lock which means you won't have fatigue issues whatsoever. When it comes to the design, it's pretty standard and conventional. The thing that makes it stand out is the quick antijamming mechanism. As you may know, these things usually have issues with constant jamming, especially if the mechanism is of low quality. However, Stanley Company is wellknown for their quality of production meaning you don't have to worry about the quality of this particular antijamming system. In simpler words, you can rest assured that it works as advertised. As far as the durability goes, it's okay. The chromeplated casing is sturdy enough to withstand quite a beating. However, you shouldn't use it for any heavyduty tasks because it's simply not recommended. The thing you might not like about the design is the lever stiffness. Namely, some people reported that it gets pretty annoying and tiring after a while. The main advantage of this particular model is its versatility. While it's great for hanging on some Christmas lights, it can also pierce through some pretty dense wood. Therefore, you can reupholster some of your furniture without too much hassle.

The affordable price is also one of the main advantages of the Stanley TR45K. While many other manual models on the market cost up to fifty dollars, this particular one is four or five times cheaper. The greatest thing about it is the fact that it's still a topquality unit regardless of the low price. While it's a pretty useful staple gun, it's also quite modernlooking. If you're among the people who look for aesthetics, make sure you check this unit out, it has everything you'll ever need for occasional household projects. The durability of this particular model is its primary advantage. While it looks like a regular manual staple gun, it's actually able to tackle some heavyduty projects as well, especially if you're planning on processing dense wood. For example, upholstery is a piece of cake for this particular model thanks to its great penetration depth. You can also choose from two intensity settings depending on the surface you want to staple. For instance, if you're dealing with hard wood, go ahead and select the high settings. On the other hand, if you're planning to staple some paper or other office material, the low setting offers more than enough power for those situations. The case is made of durable and lightweight aircraft aluminum. Apart from durability, it also offers an ergonomic design which ensures a firm grip. As you may assume, a firm grip is pretty important when it comes to safety and proper handling. The thing people didn't like about it is the amount of pressure you need to invest in order to use this staple gun. While some models on the market offer pretty soft and easytohandle levers, this particular one doesn't. In fact, it has an unusually stiff lever meaning you might have some fatigue issues. Although it cannot be solved easily, you'll get used to it pretty quickly. The best "wow" factor of the Stanley TR150HL is the affordable price. Although it has its disadvantages, the affordability justifies the shortcomings.

Stanley TR150HL SharpShooter Heavy Duty Staple Gun Our Rating 4.3 When we're talking about modern and innovative design, we cannot skip mentioning the Stanley TR150HL. While it's a pretty useful staple gun, it's also quite modernlooking. Although it has its disadvantages, the affordability justifies the shortcomings. Most models are made of aluminum because it's light and durable. However, when it comes to ultimate durability, steel is your safest bet. Apart from having a highquality casing, it also has a jamresistant design. In simpler words, jamming isn't a frequent occurrence with this particular model. Whether you're a professional or a beginner, you're going to like the things this stapler has to offer. Although there aren't many impressive features involved, the conventional ones are on a high level. For example, the lever is quite soft which means you won't have any problems with fatigue. As you may know, the main disadvantage of many models is the stiffness of the lever. However, this one is an exception. One of the shortcomings of this model is the fact that there are many defective ones on the market. A lot of people reported receiving faulty units which is not a good sign, to say the least. Luckily, the returning policy is pretty straightforward.

Therefore, all you have to do is return the product, and you'll get a new one free of charge. Although, you'll lose some time and nerves. The price is more than acceptable, especially because it's an allsteel unit. Considering the high quality of it, one would expect a pretty hefty price. Luckily, it's suitable for most budgets, even the tight ones. The unit uses Arrow T50 Staples which are accessible and affordable. Many guns do come cheap, but the supplies are often expensive. The Arrow Fastener T50 isn't one of those. Whether you're planning to commence a serious DIY project or you just need a stapler for occasional use, this one would be a good investment.

<https://skazkina.com/ru/boss-be-5m-service-manual>